



EMMEGIESSSE s.r.l.



BRIDGE CRANES - HOISTS - JIB CRANES

Via Giovanni Falcone, 8 – 41057 SPILAMBERTO (MO)

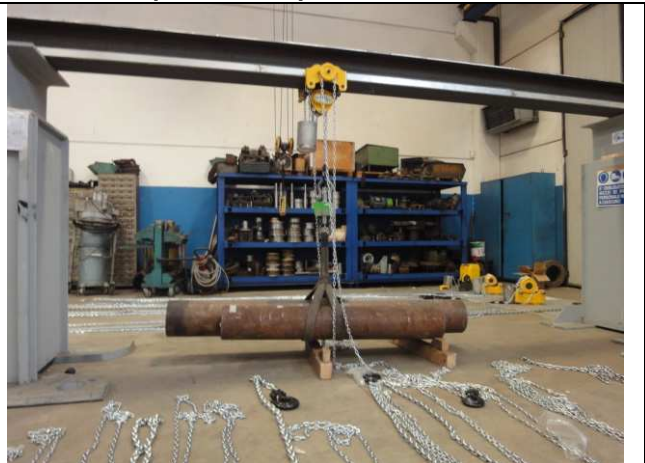
Ph. 059/78.59.79 – Fax 059/78.59.37

Tax Number, VAT Identification Number and Registered with the Registrar of Companies

Reg. of Companies MO 01466710363 – R.E.A. (Repository of financial and administrative information) no. 216966

E-mail : info@emmegiesse.com – Website: www.emmegiesse.com

**RECENTLY CONSTRUCTED SYSTEMS (2006-2011)
QAFCO V (QATAR)
MANUAL ATEX CHAIN HOISTS (130 Items)**



**QAFCO 6 (QATAR)
MANUAL ATEX CHAIN HOISTS (32 Items)**



LOT FSRU LIVORNO (DUBAI)
MISCELLANEOUS LIFTING AND TRANSFER MATERIAL (60Items)
Atex EX *RINA RULES for OFFSHORE Equipments @





CASTEL OIL (IRAQ)
Crane Double Girder 20 ton



SONATRACH (ALGERIA)
Crane Double Girder 10 ton ATEX



**DRILLMEC (KAZAKHSTAN)
JIB CRANE 3.2 Ton 10 m arm**



ATCBO (ITALY)
Crane Double Girder Atex



**SAIPEM CASTORONE (SINGAPORE)
N° 3 CRANES FOR OFFSHORE APPLICATION**



***Techne (Castelguelfo BO)
40 ton double-girder bridge crane complete with runways***



Figure 1 TECHNE

Bonatti (Parma and Algeria)
40 ton Atex double-girder bridge crane for turbo generators



Figure 2 BONATTI (ALGERIA)



Figure 3 BONATTI (ALGERIA)

HASCON ENGINEERING (Milan and Algeria)
5 ton gantry crane with interlocking track
CONCRETE PRODUCTION FOR A DAM
RAZEL (PARIS) ENSILAGE AND PNEUMATIC TRANSPORT - ASH AND CEMENT

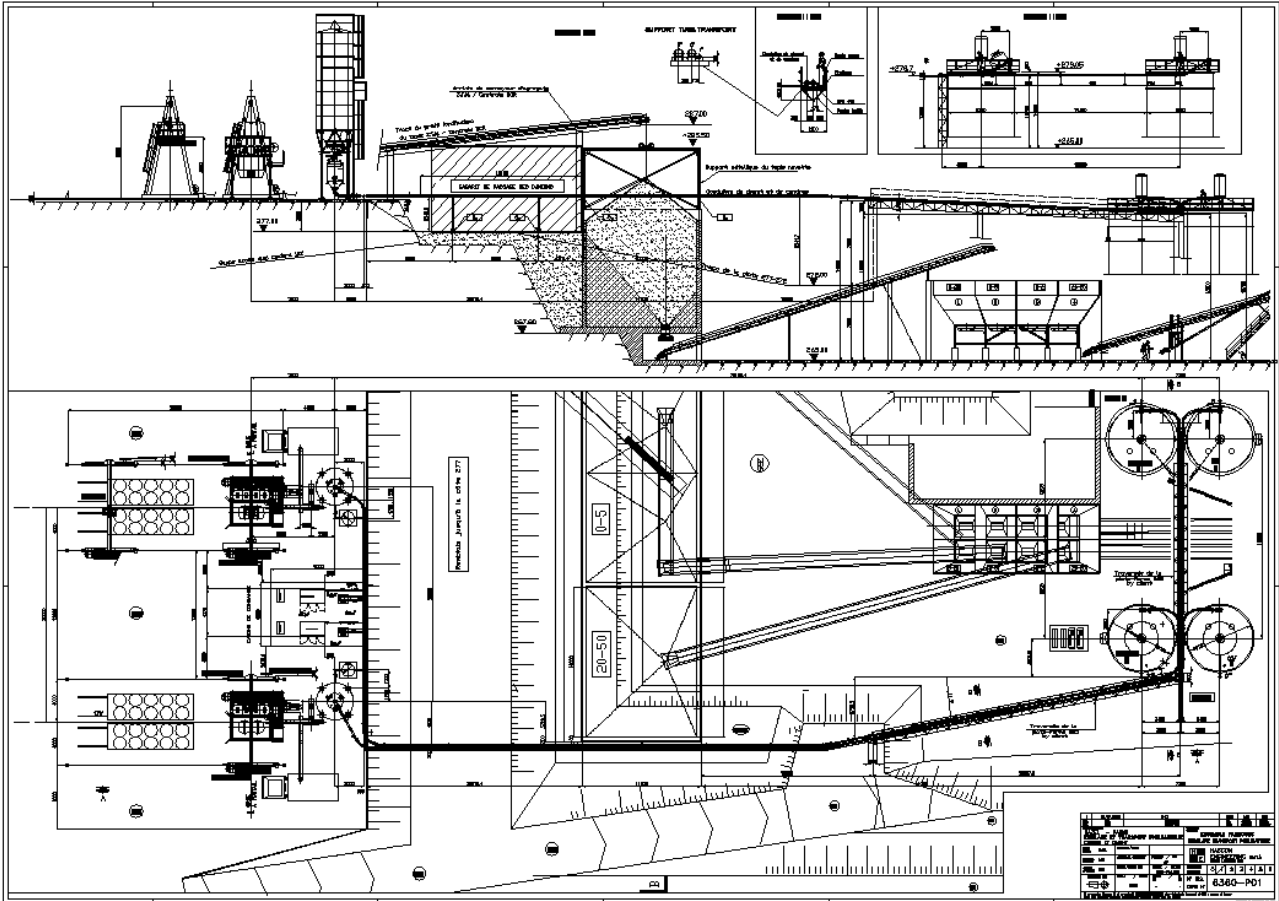


Figure 4 HASCON

BENTINI (Faenza and Algeria)
Double-girder Atex bridge crane P=200 kN-50 kN Bentini Bechtel

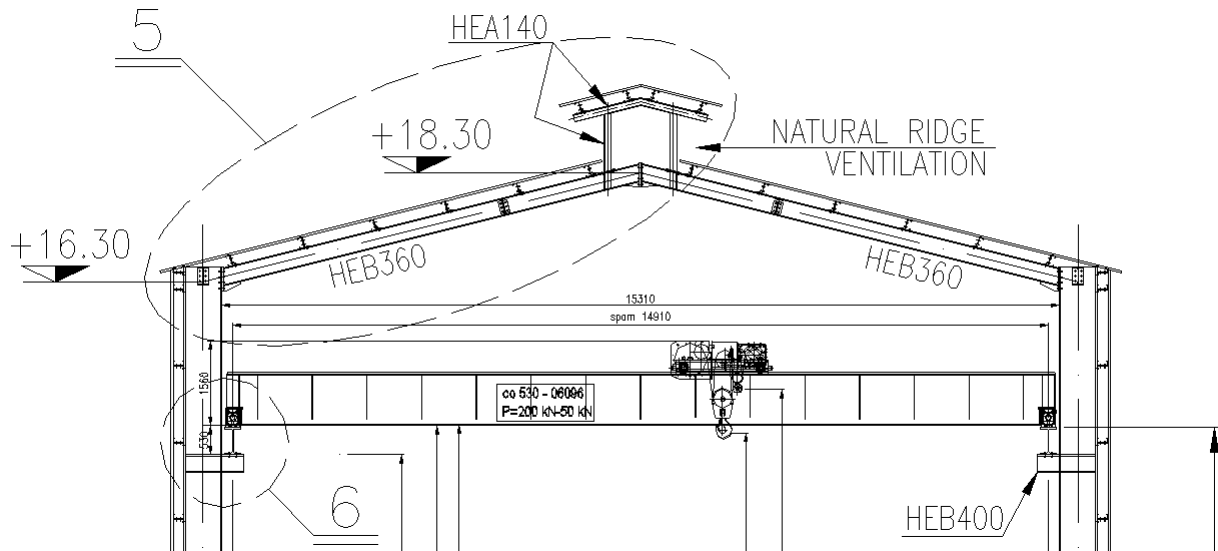


Figure 5 Bentini

BENTINI (Faenza and Algeria)
Double-girder Atex bridge crane P=340 kN-74 kN Bentini Bechtel

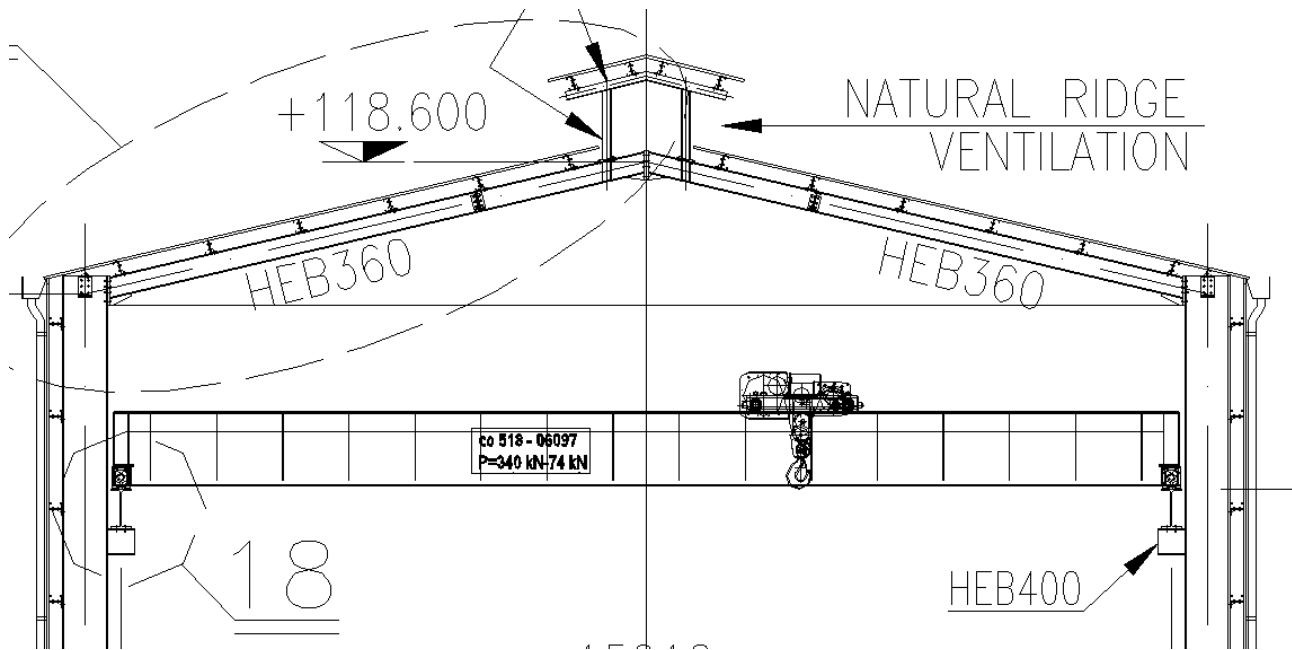


Figure 6 Bentini

SAIPEM S.p.A.
CASTOR ONE PROJECT
No. 15 Underrunning Cranes for Offshore Application
CHINA



Figure 7 SAIPEM

Project: **QATOFIN 450 KTI LINEAR LOW DENSITY POLYETHYLENE PLANT – QATAR**

SNAMPROGETTI JOB N°

SNAMPROGETTI PURCHASE ORDER

NO.

MATERIAL / EQUIPMENT

Bridge Crane & Hoists

VENDOR

EMMEGIESSSE srl

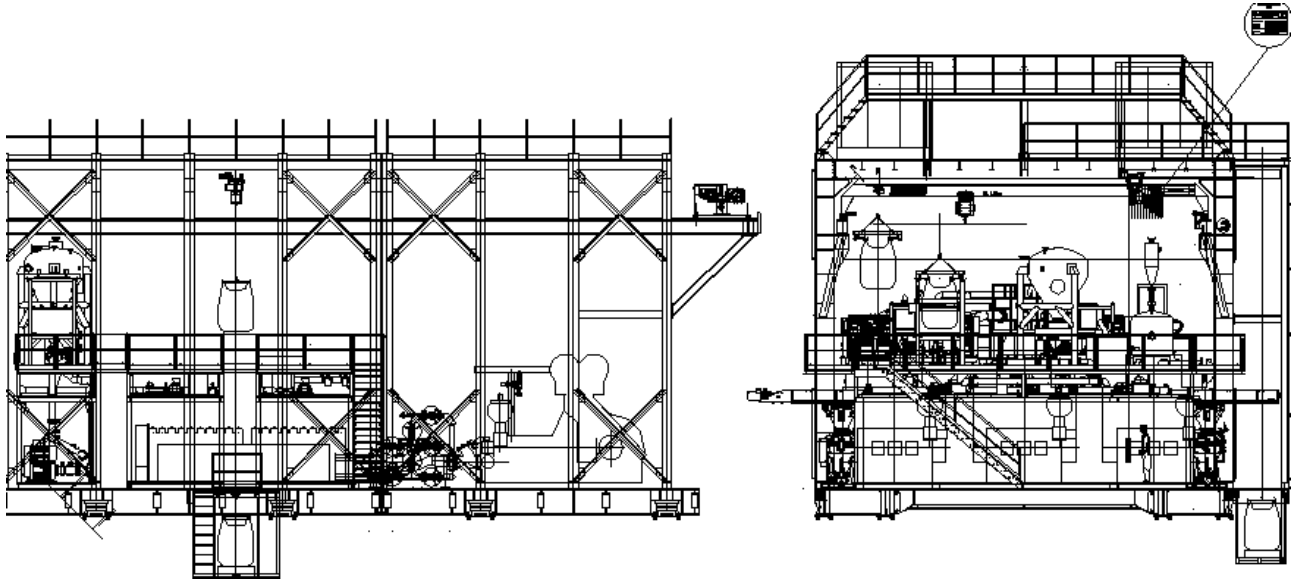
3 ATEX BRIDGE CRANE SYSTEM

SERIES OF STANDARD AND ATEX CHAIN HOISTS



Figure 8 Snamprogetti

**AGIP S.p.A.
OFFSHORE PLATFORM, KAZAKHSTAN
ATEX CRANE AND HOIST**



EDISON S.p.A. (Italy)
100 Ton Bridge Crane (Hydroelectric Plant)



**DCNS France
Fremm Frigate**



Figure 9 DCNS

**Fincantieri Italy
Fremm Frigate**

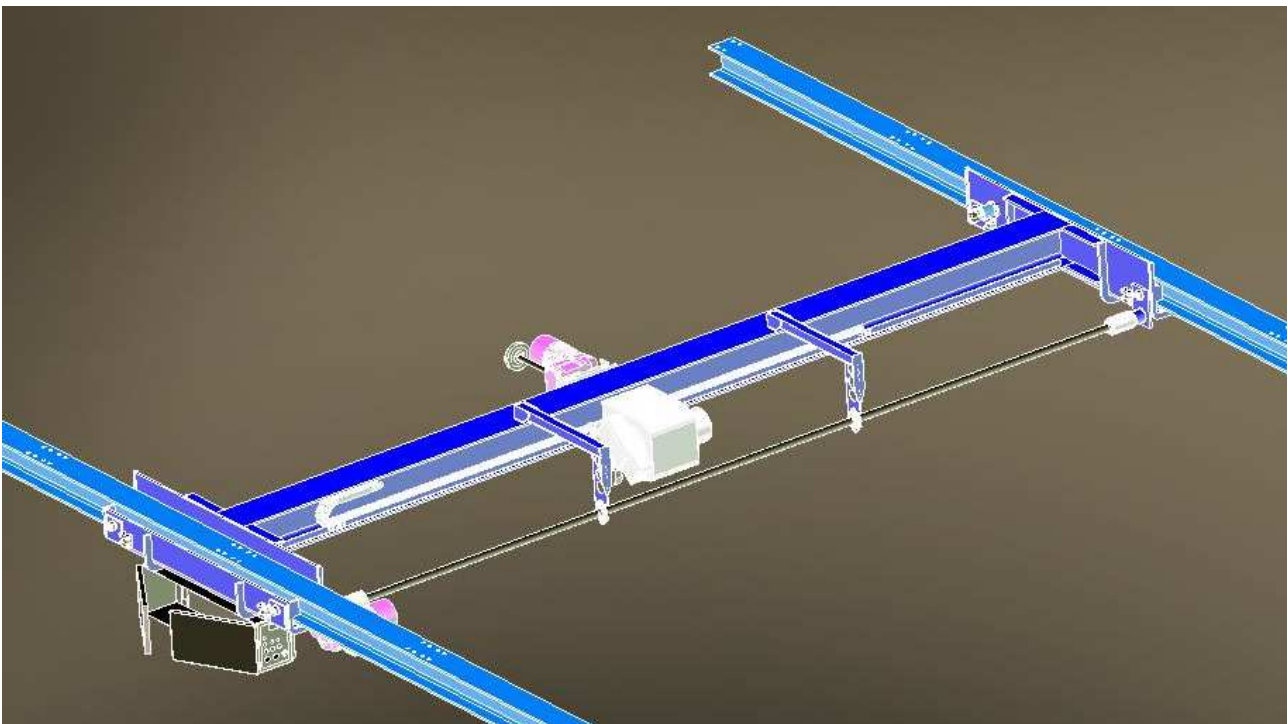


Figure 10 Fincantieri

**ENIA ITALY
INCINERATOR PLANT**



Figure 11 Enia

**US NAVY MILITARY BASE
AMERICAN MILITARY US NAVY**



Figure 12 U.S. Navy

**ITALIAN ARMY (Italy)
MILITARY HANGAR**



**MEMC TPG (Italy)
ATEX PLANT with 3 Cranes**



Figure 14 Memc

MEMC TPG (Italy)
Chemical Plant with four 40 ton cranes



Figure 14 Memc

Comest Bologna (50 ton bridge crane with auxiliary hoist) (Italy)



Figure 16 Comest

Comest Bologna (50 ton bridge crane with auxiliary hoist) (Italy)



Figure 16 Comest

Gigant Bologna (50 ton bridge crane for presses) (Italy)



Figure 18 Gigant

**Wartsila Trieste (Italy)
(75 ton auxiliary bridge cranes)**



Figure 19 Wartsila

Centrosud PREFABBRICATI (Italy)
(40 ton gantry crane)



BMD (Italy)
(bridge crane for Machine Tools)



Italcementi Trieste (80 ton bridge crane) (Italy)



CNH (Italy)
(Case New Holland for presses)



***Ecowatt-Cover (Italy)
Bridge crane in a hydroelectric plant***



***META-HERA (Italy)
(Turbo Generated Incinerator)***



MANDELLI (40 ton bridge crane) Italy

System (Italy)
(Bridge crane for presses)

ACEGAS (Padua)

Bucket hoist to move waste.

AMADA - SCHIAVI Piacenza

Lifting beam with self-centering adjustable hooks.

LAMBORGHINI AUTOMOBILES S. Agata Bolognese (province of Bologna)

Various suspended cranes for vehicle assembly lines with highly customized gripping tools according to the vehicle model.

PADOVA SERVIZI COMPANY (Padua)

Bridge crane with a hydraulic orange peel grapple to load waste into an incinerator with an automatically run load cycle.

AGRICOLA ALLEVI COMPANY PAVIA

Automatic bridge crane with bucket for loading/unloading and transporting compost material.

B.M.D. S.r.l. Campogalliano (in the province of Modena)

40 ton bridge crane with device to limit the load in certain areas of the warehouse.

BUGATTI AUTOMOBILES S.p.A. Campogalliano (in the province of Modena)

Suspended cranes for lifting and transporting semi-finished elements along a CNC production line.

Various suspended cranes for vehicle assembly lines.

CENTRO SUD PREFABBRICATI S.p.A. Borgorose (in the province of Rieti)

15 ton bridge cranes with self-controlling speed device for an inclined run.

CIELLE PREFABBRICATI S.p.A. Casteggio (in the province of Pavia)

Gantry crane with self-centering lifting beams for lifting and smoothly transporting prefabricated concrete structures.

COOP BILANCIATI Campogalliano (in the province of Modena)

Automatic cranes for lifting and transporting oversized scales to the inspection department.

COMAU S.p.A. Grugliasco (in the province of Turin)

Suspended semi-automated cranes for tracked vehicle assembly lines.

DEGUSSA S.p.A. FLORENCE

Automated bridge crane to load a mixing machine with a synchronized opening hopper.

FIAT GEOTECH S.p.A. MODENA

Various suspended cranes for assembly lines.

FIAT ALLIS S.p.A. LECCE

Various suspended cranes for assembly lines.

FINCANTIERI TRIESTE

Various jib wall cranes for the production department along with a traditional bridge crane.

FRIGOR BOX S.p.A. Scandiano (in the province of Reggio Emilia)

Automatic crane with a vacuum lifting device for lifting and transporting sheet metal.

FOMET Imola (in the province of Bologna)

Special bridge crane used in extreme conditions for welding foundry department.

GENMAC Gualtieri (in the province of Reggio Emilia)

Suspended cranes for lifting and transporting compressors along an assembly and inspection line.

GIMEC Fiorano (in the province of Modena)

Suspended cranes for lifting and transporting semi-finished materials along a CNC production line for precision mechanical work.

ITI C.L.M. Buttrio (in the province of Udine)

Wall cranes with articulated arm for assembly line for light-weight mechanical parts in a crane factory.

ITALCEMENTI (in the province of Trieste)

Bridge crane with automatic bucket for moving aggregates.

ITALPRESS Fiorano (in the province of Modena)

Various suspended cranes for lifting and transporting sheet metal along CNC production lines with precision positioning for various manufacturing processes.

SEFA ACCIAI S.p.A. BOLOGNA

Radio-controlled double-girder bridge crane with electromagnetic lifting device and incorporated weighing system.

SIDERLAND S.p.A. Mezzolombardo (in the province of Trento)

Bridge crane with rotating hoist for steel draw-bench department.

SIDERLAND S.p.A. Colognola C. (in the province of Verona)

Radio-controlled double-girder bridge crane with double electromagnetic lifting device with an incorporated scale for lifting and transporting large metal tubes.

SPAL Correggio (in the province of Reggio Emilia)

Gantry crane for the press department.

SAT Sassuolo (in the province of Modena)

Automatic crane made up of an automatic double-girder bridge crane with a special bucket for collecting material used for lifting and transporting waste at the city dumping grounds.

ZINCHERIA DEL CARLO Chiesina Uzzanese (in the province of Lucca)

Bridge crane with 360° rotating hoist for lifting and transporting to the pickling and hot-galvanizing department.

Some of Our Regular Clients: REGULAR CLIENTS:

AGOS
ALCATEL ITALIA
ACC. BERTOLI SAFAU
A.F.P. S.r.l.
ALUTEKNA S.p.A.
AZ. MUN. IGENE URBANA
ARIOSTEA S.p.A.
AUTOGRU P.M.
AUTOMOBILI LAMBORGHINI
BARACLIT PREFABBRICATI S.p.A.
BENNIGER S.p.A.
BLOW MOULDING
B.M.D. S.r.l.
BOMPANI ELETTRODOMESTICI
BORGHI e SEVERI
BUGATTI AUTIMOBILI S.p.a.
CARTIERA DI CASTELFRANCO
CARUSO INFISSI
CATARSI ING. PIERO
CEMENTERIE DI SARDEGNA S.p.a.
CEMENTERIE SICILIANE S.p.a.
CEMENTERIE SICILIANE S.p.a.
CEMENTERIE SICILIANE S.p.a.
CENTRO SUD PREFABBRICATI S.p.a.
CERAMICA CORALLINA S.p.a.
CERAMICHE CESAR
CERAMICHE ATLAS CONCORD S.p.A.
CERAMICHE GARDENIA ORCHIDEA S.p.A.
CERAMICHE FLOOR GRES S.p.A.
CIELLE PREFABBRICATI S.p.a.
COMAU S.p.a.
COMM. FERRO TUBI
COMERIO RODOLFO S.A.S.
CONS. BONIFICA RENO PALATA
DEGUSSA S.p.a.
DELTA VALDARNO S.p.A.
DIAVRES
DROMOS
ENTE FERROVIE DELLO STATO
EURODEPURATORI
EUROFILTER S.p.A.
EUROPA METALLI S.p.A.
EURO PLAST S.p.A.
F.S.M. AUTOMAZIONI
FERROVIE DELLO STATO
FABBRI ANGELO
FERRARI S.p.A.
FIAT GEOTECH S.p.a.
FIAT ALLIS S.p.a.
FIMA OLIMPIA
FINCANTIERI
FOMET S.p.a.
FOND. COOP MODENA
FRIGOR BOX S.p.a.
FRITZ HANSBERG S.p.A.
GADE S.R.L.
GENERAL SIDER ITALIA S.p.A.
GIBEN IMPIANTI S.p.A..
GIGANT S.r.l.
SASSUOLO (MO)
MILANO
POZZUOLO DEL FRIULI (UD)
SEGRATE (MI)
MARCON (VE)
BOLOGNA
REGGIO EMILIA
MODENA
S. AGATA BOLOGNESE (BO)
BIBBIENA (AR)
CALENZANO (FI)
CALDERARA DI RENO (BO)
CAMPOGALLIANO (MO)
MODENA
CENTO (FE)
CAMPOGALLIANO (MO)
CASTELFRANCO EMILIA (MO)
VINCHIATURO (CB)
FORNACETTE (PI)
SCALA DI GIOCCA (SS)
ISOLA DELLE FEMMINE (PA)
CATANIA
PORTO EMPEDOCLE (AG)
BORGOROSE (RI)
OLBIA (SS)
FIORANO (MO)
FIORANO (MO)
FIORANO (MO)
FIORANO (MO)
CASTEGGIO (PV)
GRUGLIASCO (TO)
CALENZANO (FI)
SOLBIATE OLONA (VA)
S.GIOVANNI PERSICETO (BO)
FIRENZE
S. GIOVANNI V. (AR)
SOLIERA (MO)
MONTEVEGLIO
ROMA
S. GIACOMO S. (MN)
CASALGRANDE (RE)
FIRENZE
CASTELGUELFO (BO)
MODENA
BOLOGNA
FOGGIA
MARANELLO
MODENA
LECCE
SIENA
TRIESTE
IMOLA
MODENA
SCANDIANO (RE)
MODENA
COLOGNE (FE)
CHIETI SCALO
PIANORO (BO)
BOLOGNA

GOLDONI MOTOCOLTIVATORI S.p.A.
GOMES S.r.l.
IMPRESA CASTELLI S.p.A..
ITALCEMENTI
ITALTRACTOR S.p.A.
ITI C.L.M.
IRPLASTNASTRI
KLONKNER METALPO S.p.A.
LAMINAM
L.B. S.p.A.
LUNGARI GIUSEPPE S.R.L.
M.C.F. S.p.A. ACCIAIERIE
MANTOVANI BENNE S.p.A.
MINGANTI S.p.A.
MAPIER SUD S.R.L.
MARES S.p.A.
METALSIDER S.p.A.
MOTOVARIO
NASSETTI USMAC S.p.a.
NEW HOLLAND
NUOVA SANAC S.p.A.
NUOVA CASUCCI
NUOVO PIGNONE S.p.A.
NUOVA SIDERURGICA S.p.A.
OCMA ALLUMINIO
OFF. FOND. GALTAROSSA S.p.A.
OFF. PADANE S.p.a.
PAIOLI MECCANICA S.p.A.
POPPI UGO EUROFORGE
PRESCAV S.p.A.
PROMATECH S.p.A.
PRESYSTEM S.R.L.
RIVA CALZONI
RIVECO S.p.A.
RIWAL CERAMICHE S.p.a.
S.P.ECO S.R.L.
SCHIAVI PADANE S.p.A.
SACA S.p.A.
SCHIAVI AMADA
SEFA ACCIAI S.p.A.
SIDERLANDINI S.p.a.
SIDERURGICA GABRIELLI S.p.A.
SIDERIMPORT
HYDROPRO S.R.L. CATERPILLAR CO
SIMA IND. S.p.A.
SISTEMA S.R.L.
SYSTEM S.p.A.
SYSTEM AUTOMATION S.p.a.
SYSTEM CERAMICS S.p.a.
SPAGGIARI TRASMISSIONI
TAZZARI G.L. S.p.A.
TECNOFERRARI S.p.A.
TECOPRESS
TETRA PAK CARTA S.p.A.
TETRA PAK ITALIA S.p.A.
TOSCANA LAMIERE S.p.A.
UTTI WAGNER AUTOMAZIONI S.p.A.
UNIECO S.r.l.
UNISTAND S.p.A.
USCO
UNIVERSITA' DI BOLOGNA
UNIVERSITA' DI UDINE

MIGLIARINA DI CARPI (MO)
FIORANO (MO)
MILANO
BERGAMO
MODENA - POTENZA
BUTTRIO (UD)
LIMITE SUL LAGO (FI)
VERONA
SASSUOLO (MO)
FIORANO (MO)
MODENA
CIVIDALE DEL FRIULI (UD)
MIRANDOLA (MO)
BOLOGNA
PESCOPAGANO (PZ)
RAPALLO
RAVENNA
FIORANO (MO)
FIORANO (MO)
MODENA
GENOVA
CALENZANO (FI)
FIRENZE
MODENA
ASCOLI PICENO
VERONA
MODENA
BOLOGNA
DOSSO (FE)
MILANO
CREPELLANO (BO)
CATANIA
BOLOGNA
LARINO (CB)
SASSUOLO (MO)
S.PROSPERO (MO)
MODENA
PORTO SALVO (RC)
PIACENZA
PADULLE (BO)
COLOGNOLA C. (VR)
CITTADELLA (PD)
GUASTIGLIA (LI)
CREPELLANO (BO)
JESI (AN)
CAMPOGALLIANO (MO)
FIORANO (MO)
FIORANO (MO)
FIORANO (MO)
FORMIGINE (MO)
IMOLA (BO)
FIORANO (MO)
DOSSO (FE)
RUBIERA (RE)
MODENA
POGGIBONSI (SI)
MODENA
REGGIO EMILIA
OZZANO E. (BO)
MODENA
BOLOGNA
UDINE

V.M. MOTORI S.p.A.
VALDUCCI S.p.A.
VIREM
WAM S.p.A.
WHIRPOOL ITALIA S.R.L.
WRAPMATIC S.p.A.
ZERBINATI S.p.A.
ENI
EDISON
SAIPEM
Snamprogetti
Fincantieri

CENTO (FE)
BERTINORO (FO)
MODENA
CAVEZZO (MO)
COMERIO (VA)
LIPPO DI CALDERANA (BO)
MILANO
Italy
Italy
Italy
Italy
Italy